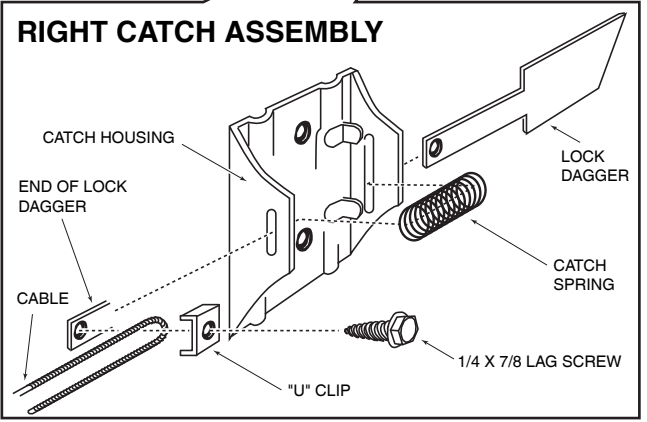
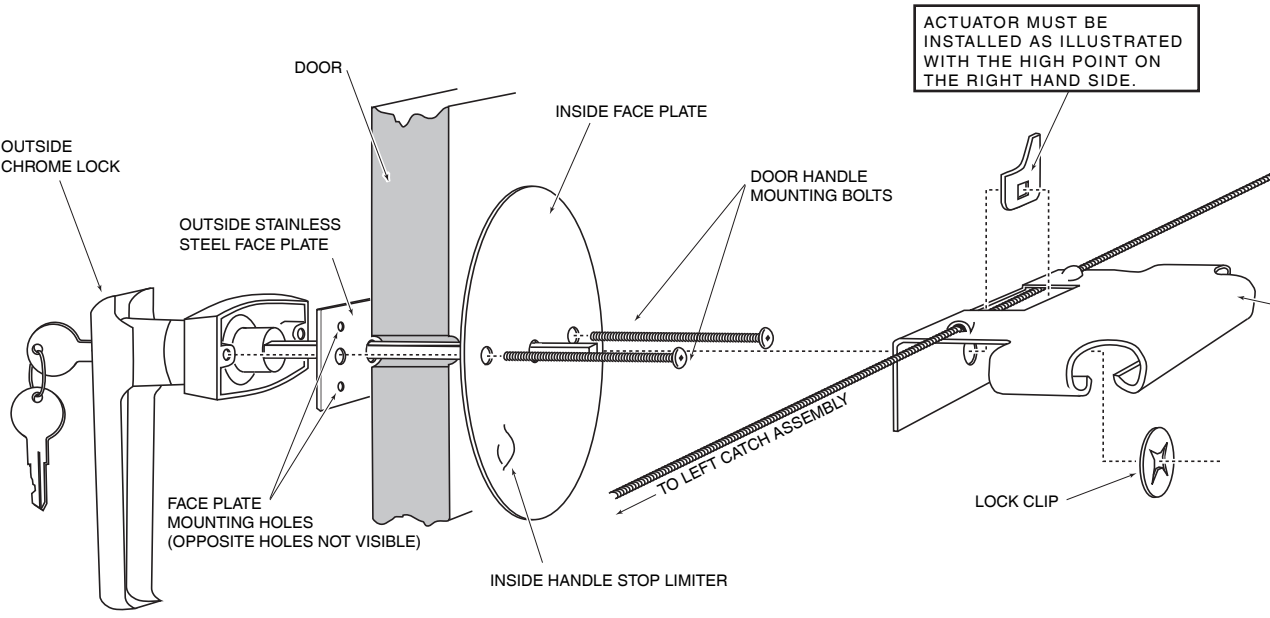
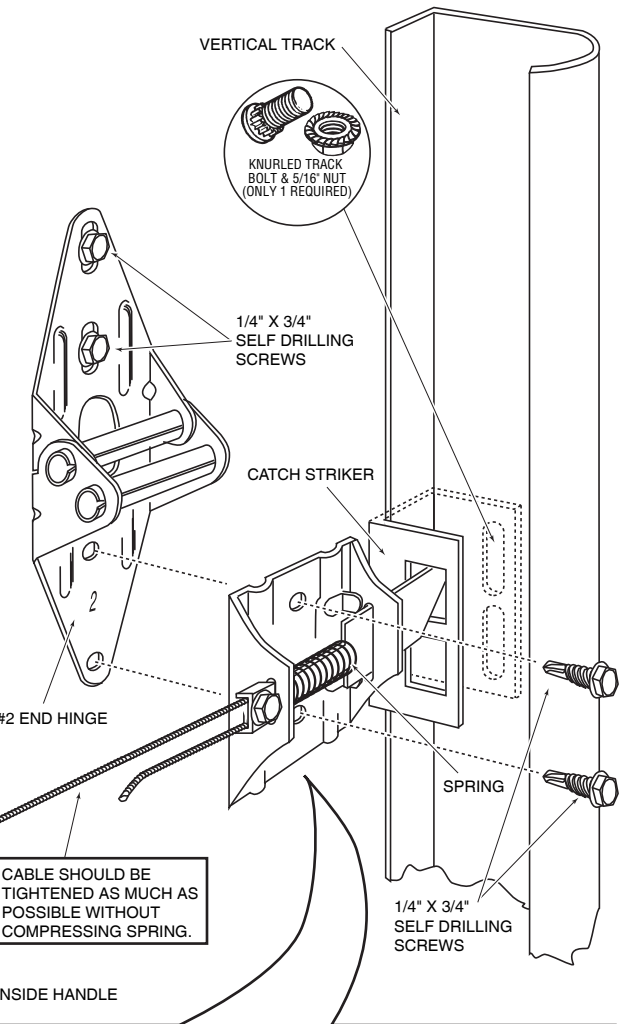


SQUARE UP CHROME FACE PLATE TO OUTSIDE OF #2 DOOR SECTION & BETWEEN EMBOSMENTS WITH THE PROTECTIVE PEEL OFF FILM ON THE OUTSIDE. ATTACH TO THE DOOR SECTION USING #10 SHEET METAL SCREWS. THE FOUR PRE-PUNCHED HOLES ON THE OUTSIDE EDGES OF THE PLATE ARE PROVIDED FOR THIS PURPOSE. (DO NOT OVER TIGHTEN)

USING THE MOUNTED FACE PLATE AS A TEMPLATE, DRILL THE THREE CENTRE HOLES (THE SAME SIZE AS STAINLESS STEEL FACE PLATE HOLES) COMPLETELY THROUGH THE DOOR, MAKING SURE THAT THE DRILL IS HELD LEVEL AND STRAIGHT.

**NOTE:** ILLUSTRATION SHOWS A SINGLE WIDE DOOR. FOR WIDER DOORS, THE LOCK MAY BE MOUNTED IN THE CENTRE OF THE DOOR IF DESIRED.



**STEEL-CRAFT**  
DOOR PRODUCTS LTD.

**THERMOCRAFT**  
Door Lock  
Installation Instructions